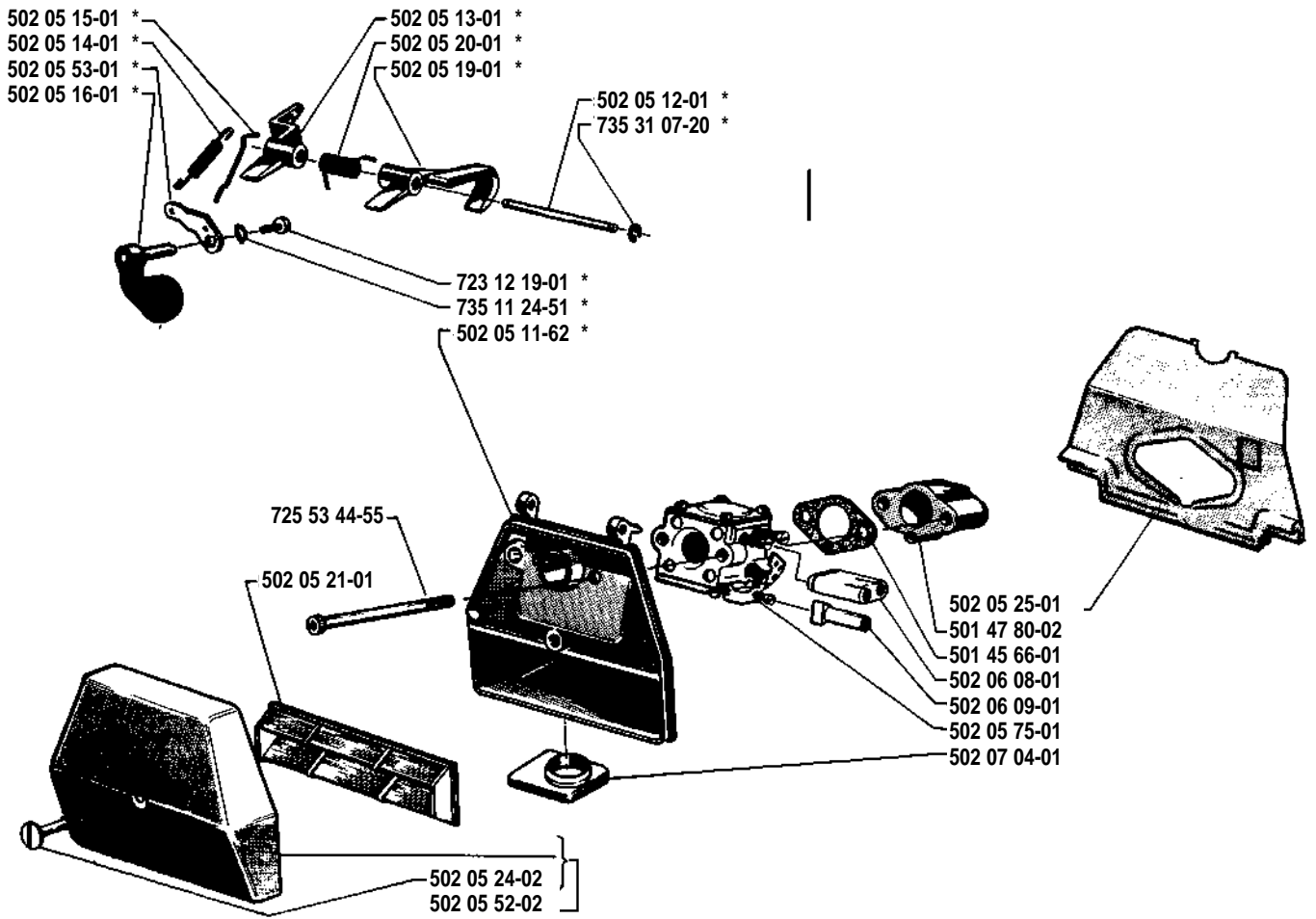
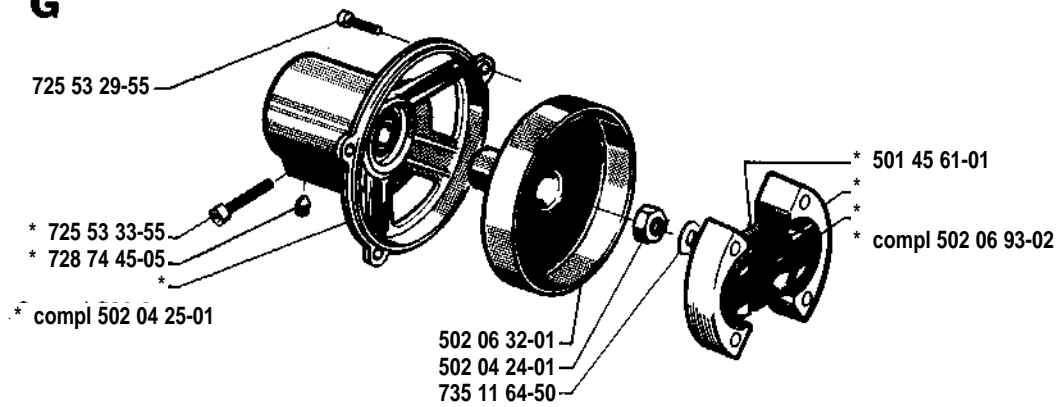


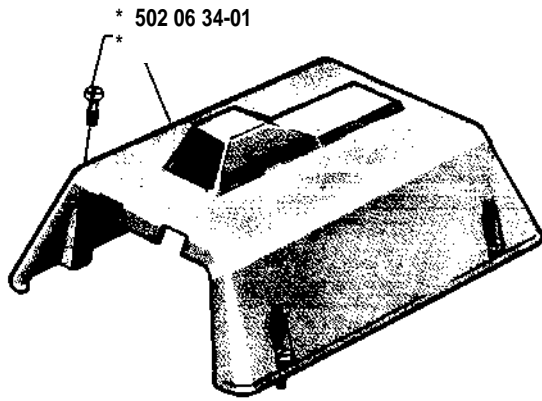
A * compl 502 05 10-03



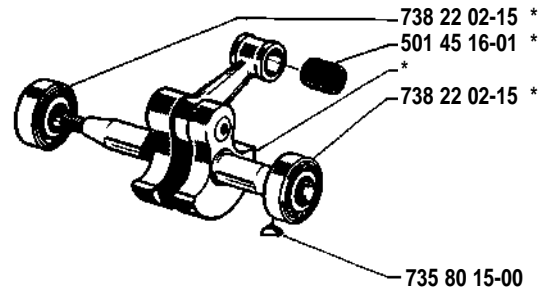
G



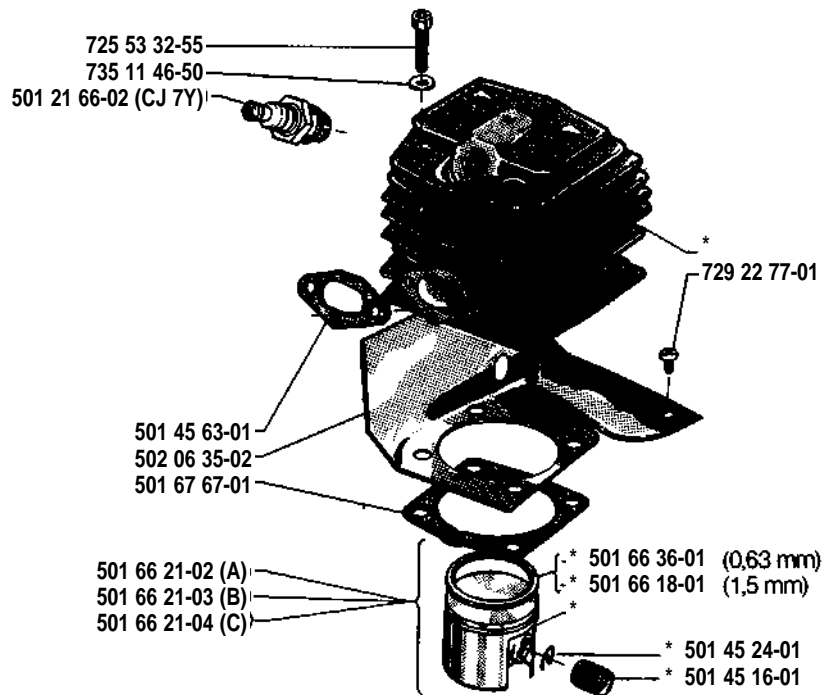
B * compl 502 05 55-01



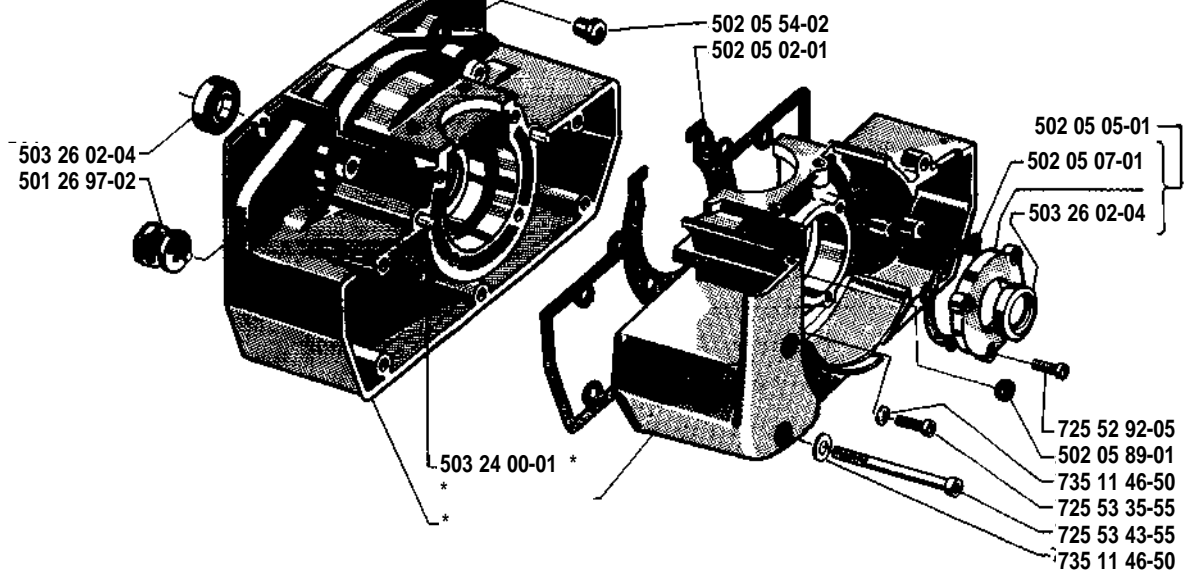
F * compl 502 06 40-01



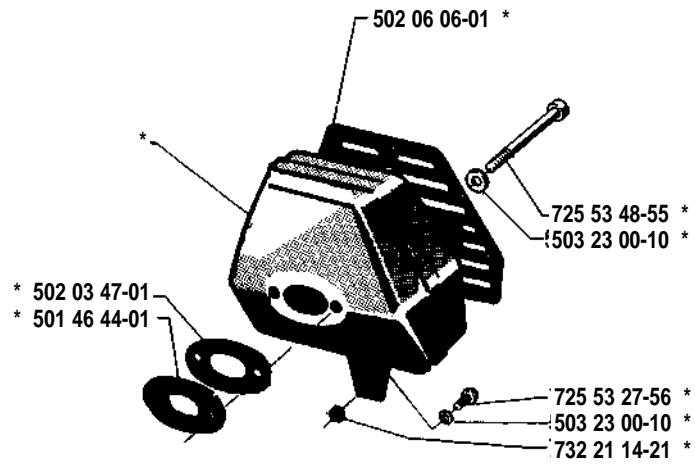
C * compl 501 66 13-01



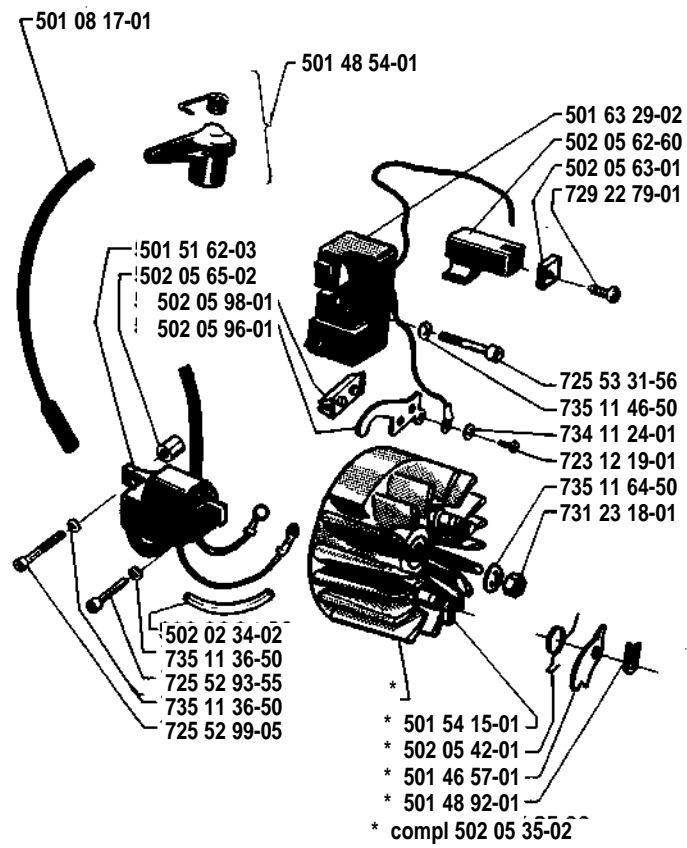
H * compl 502 05 44-03



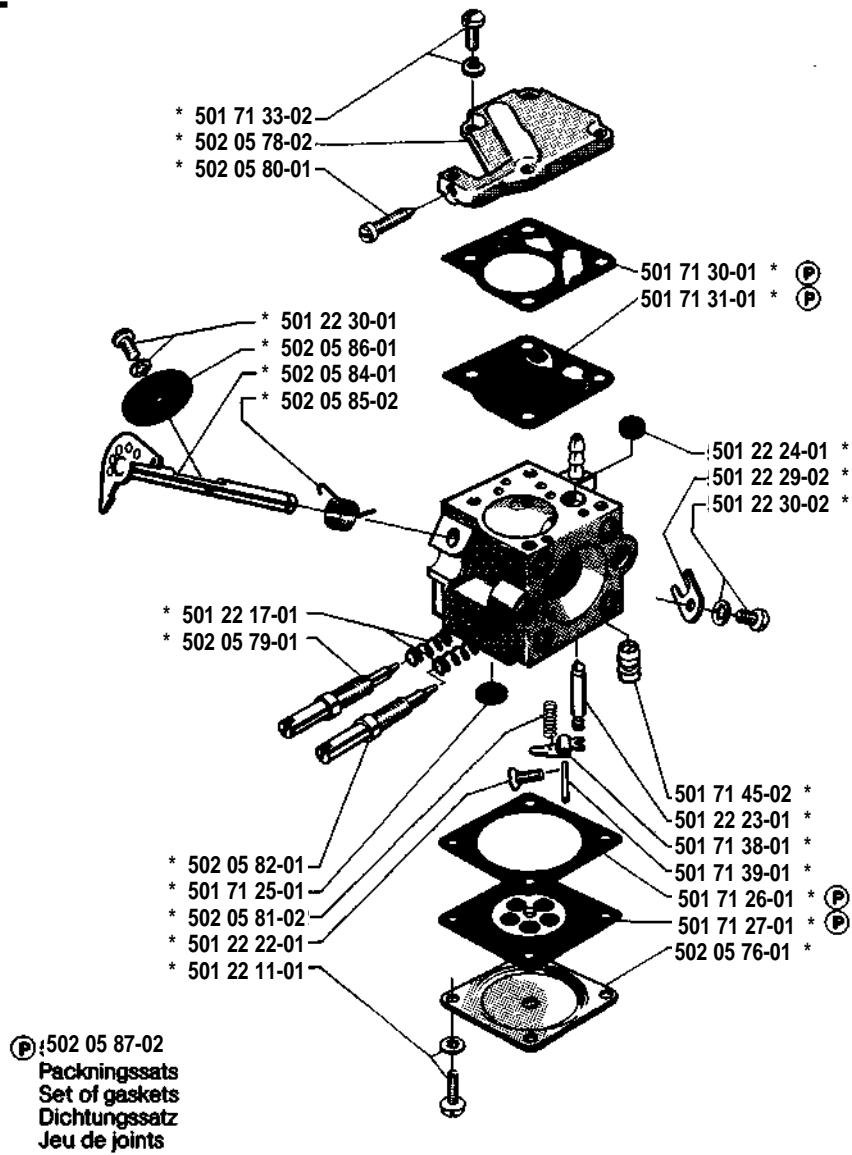
D * compl 502 03 48-01



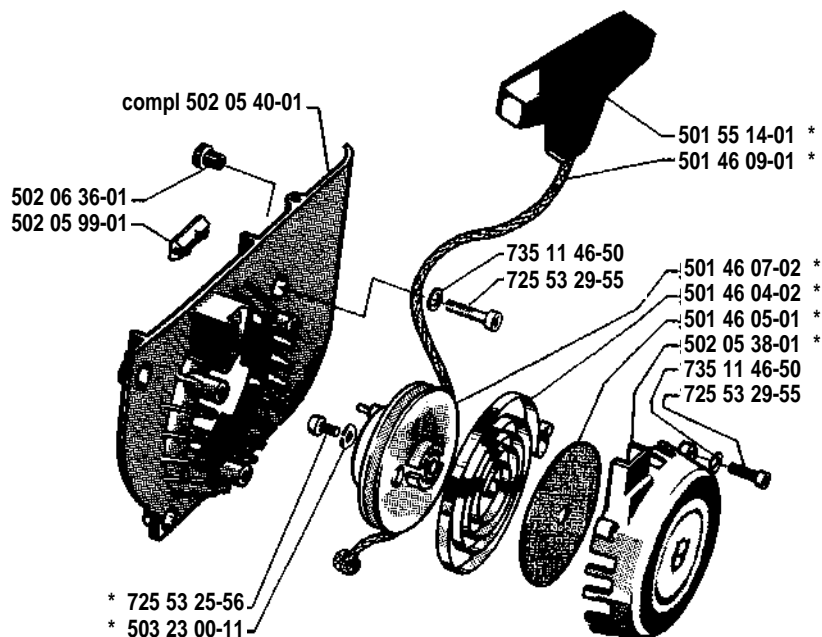
J



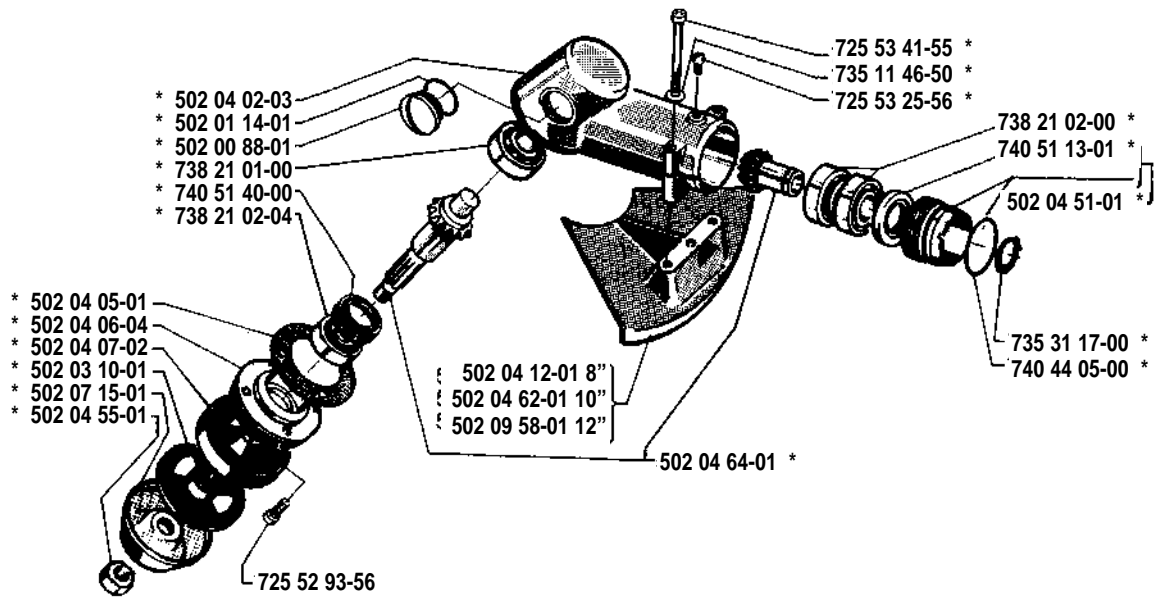
E



K * comp 502 05 37-01

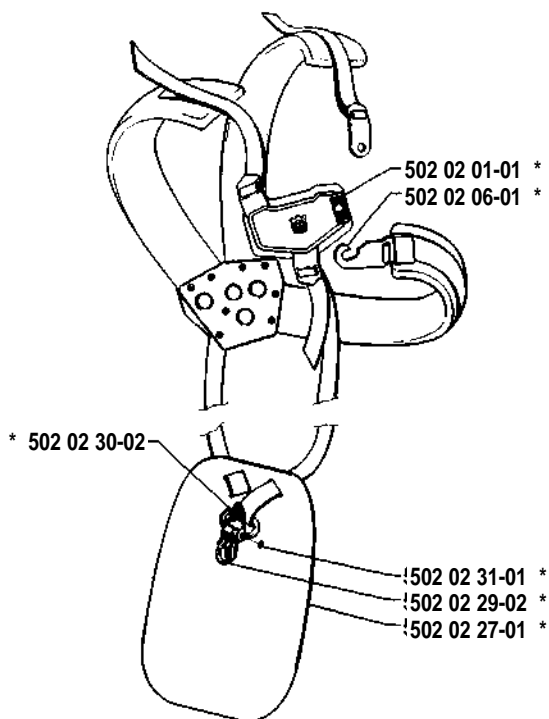


L * compl 502 04 01-03

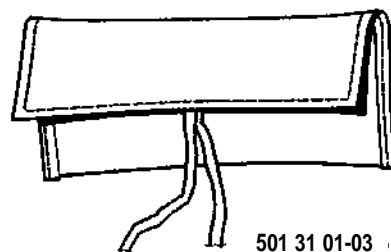


N

**Tillbehör
Accessories
Zubehöre
Accessoires
Tarvikkeet**



* compl 502 02 00-01



M * compl 502 07 14-01

